



THE BULLETIN



Published by the Scovill Manufacturing Company for its Employees.

Vol. XXIV

August 9, 1943

Number 6

All Main Plant Scovillites To Vote For SERA Officers Tomorrow

Hobbie And Graveline Seek Presidency—Voting Starts At 5 A. M. On The Third Shift

First Plant-Wide Vote of Group Stirs Interest of Employees

To-morrow morning at 5 AM when the third shift employees' working quarters are beginning to be well lighted by the newly risen sun, voting in the first plant-wide all Scovill election of the Scovill Employee Recreation Association will get under way.

This year every person working in Scovill is a member of the Association and so entitled to vote his or her choice for officers to carry on the affairs of the group during the coming year.

It will not be necessary for employees to leave their work in order to vote. A checker and a moderator will be named by the foreman of each shift to have charge of the ballot box while it is in each department or room, and the checker will have a list of all employees in his department and each employee's name will be checked off the list when he or she votes.

Official ballots carrying the names of all nominees for president, vice-president, secretary, treasurer and board of directors are to be distributed by the foreman before the time for voting arrives.

After all three shifts have voted the sealed ballot box is to be turned over to the Plant Protection Department, and it will be opened later by John Madden, chief of tellers, in the presence of the principal candidates, who will supervise the counting of the vote and announce the results.

Ward Hobbie, Jr., of the North Mill and Joseph Graveline of the Steam Department Pipe Shop are the two candidates for president. Both have been active in SERA affairs during the past year.

There are four candidates for the vice-president's post, James V. Bianca, of Case Shop 2, John Kane of West Machine Room, Joseph Runividge of the Hot Forge, and Anthony Sebastian of Central Time Office.

(Continued on Page 2, Col. 2)



Joseph Graveline

Joseph Graveline, a product of the Abridgator District, has worked in Scovill since 1923. He has been Chairman of SERA Board of Directors during its first year.

Joe is pretty well known to Scovillites who are ball fans for he has done a good deal in the way of promoting semi-professional baseball hereabouts in recent years, having managed the Goodwill A.C. and the Rovers. His campaign statement runs as follows:

"I believe that Recreation should be run by the employees, and that each employee should have the right to enjoy any form of recreation that he wishes for, and that each unit in recreational activities should be self governing; and that all recreation should be operated under a committee composed of two employees from each unit, these two committee members to be selected by the members of each unit.

"If I am elected President, I shall at all times respect the opinion of every member of the Recreation Association and I will give my time and talent to make it possible for each employee to get the most out of all recreational efforts."

Scovill Totals 190 Pounds In Record Collecting Drive

The American Legion campaign for the collection of old phonograph records came to end July 31, and reports indicate that in this war effort Scovill made a very good showing. A total of 190 pounds of old records were donated in Scovill City, while the total for all Waterbury was 700 pounds.

Thus it will be seen that Scovillites contributed nearly a third of the total.

Adolphe English, chairman of the drive for the Legion, has asked THE BULLETIN to extend to all Scovill employees who contributed his sincere thanks.



Ward Hobbie, Jr.

Ward Hobbie, Jr. came to Scovill eight years ago and began in the North Mill as a pattern rolling man. He has been active in SERA affairs ever since its organization.

Ward's statement, expressing his sentiments in regard to the value of SERA to all employees, follows:—"I have heard qualified authorities make the statement that the general level of health and physical fitness of our industrial workers will be prime factors in our production which will win the war. Therefore, I should consider it a privilege to be a part of and to aid in achieving the objective for which the SERA was founded, namely, to build up the morale of employees and to maintain their health through participation in some wholesome form of recreation.

"I believe if all Scovill employees are provided with proper recreation and health activities, they will be better-equipped and prepared for the fast pace of production, and to enjoy real living.

"Finally, it would be my aim to give each employee the kind of recreation he wants, when and where he wants it, insofar as the Association is able to do so under present day limitations."

C. P. Goss, Jr. Named New Head Of Mills

At an Executive Committee meeting held July 29, 1943, Mr. C. P. Goss, Jr. was appointed Assistant General Manager in charge of Mills. This was done to fill the vacancy caused by the recent death of Mr. R. C. Jeter.

In addition to the responsibilities of this new appointment, Mr. Goss is a Vice-President and Director of the Company.

Victory Committee Aids War Projects Many Benefits To Employees Developed From Suggestions

When the War Production Board asked that War Plants set up employee-management committees to stimulate morale and aid the war effort in general, Scovill's Main Plant and Waterville Division were among the early plants to cooperate.

The organization in the Main Plant is headed by the Victory Committee which has sixteen members, half of whom represent management and half employees. In each room there is a Room Production Drive Committee. A total of 545 employees are members of these Room Committees. Mr. John Madden, assisted by Gertrude Swirda, Ann Petke and Jane Alexander, act for the Victory Committee in contact work throughout the plant. The Victory Committee is responsible for many worthwhile projects.

Seventy-four suggestion boxes and bulletin boards are in the custody of Room Committees. All suggestions from employees clear through the Room Production committees and end with the Victory Committee. Prize awards are made by the employee half of the Victory Committee. Through the Victory Committee 207 improvements that have benefitted employees have been effected.

The very successful drive for Blood Donors has been under the sponsorship of the Victory Committee. At pre-

(Continued on Page 12, Col. 4)

Production Soldier



Another Production Soldier for whom Scovill asked and has received a 2-B Selective Service classification is Vic Reynolds of the Blank and Draw Tool Room. Vic has served his time as an apprentice and is now a full-fledged toolmaker in the Tool Room. A toolmaker is an important person in the Battle for Freedom — as important as a soldier, sailor or marine on duty with the armed forces.

Have You A Room To Rent?

Before we can bring workers into Waterbury, we must have living quarters available for them.

If you have quarters that will house single men or women, married couples or families, please communicate with Miss Kelly, Employment Office, Extension 2256. State clearly the conveniences available and any restrictions you have as to tenants.

You will be constructively aiding the war effort by making your extra rooms available for rent.



By Ethel Johnson

We welcome four new members from Employee Relations: *Stella Rogozinski*, *Marion McNulty*, *Eleanor Hoethke* and *Germaine Dansereau*.

Congratulations to *Vivian Galligan*, Planning, upon her engagement and forthcoming marriage to *Corp. Henry Byrnes*.

Marian Costello and *Marion McNulty* are at Ocean Beach this week, and *Winnie Beckett*, North Mill, will accompany them to see that they don't get lost and don't eat too many hot dogs.

We welcome *Eunice Olander* back to the Employment Office again for an indefinite stay.

Mary Condon, Planning, was a July vacationist at Hampton Beach. *Ethel Winship*, Cost Office, certainly is sporting a lovely tan after her two weeks.

Peg Phelan, B & F Sales, celebrated her birthday last Tuesday, August 3.

Mary Robinson, Employee Relations, spent last week at Cape Cod; *Olive Gaffney*, Employment, spent a few days in New York; *Rosemarie Niro*, Defense Plant Facilities, spent her vacation in Southbury; *Peggy Cosgrove*, Employee Relations, was at Pocono Manor, Pennsylvania.

This week's vacationists are *Rose Foley*, Employment, and sister *Gert Smith* at Waterford; *Lucille Burney*, Conservation, in New York; *Mary Urbak*, Auditing, and *Alyce Graveline*, Billing, at Atlantic City; *Irene Kreig*, North Mill and *Jeannette Brodeur*, Cost Office, are away too. *Adele Macinauskas*, B & F Class., is spending a few days in New York and the balance unknown at this writing; *Alice Leggett* is at Jug-End Barn in Massachusetts.

Eleanor Hoethke and *Bill Gillette* exchanged vows last Saturday. Congrats.

Dorothy Lasky, Mill Production, expects to be bridesmaid at a girl friend's wedding this Saturday. Hope you catch the bouquet, *Dottie*.

A new bundle of joy just arrived last Monday to *Mr. and Mrs. Roland Malia*, the latter is the former *Louise Loveridge*.

Look At This!



How is this for some catch of fish? *Elmer Libby* and *George Caldwell* of Waterville caught these eight beauties while vacationing in Maine. Two other fish were left out of the picture.

Lieut. Scotty Duncan Prisoner Of Germany Previously Reported Missing

Lieutenant Scotty Duncan, previously reported missing in Occupied France since July 10, has now been listed as a prisoner of war in Germany, it was announced by the War Department.

This announcement confirms the belief expressed by Scotty's father at the time he was listed as missing.

At the combined union service yesterday at the First Congregational Church, the Mendelsohn Chorus dedicated their singing of "Oh Salutaris" to their 39 members who are now serving our country in the armed forces. Of these 39 members, 3 have been wounded in action and one, Scotty Duncan, is a prisoner of war.

Woodtick Ideal For Picnics--Swimming

Direct Bus Service Available

Now that adequate bus service is available from the Green to Scovill Picnic grounds at Woodtick, there is little reason not to have that picnic you'd planned since the ban on pleasure driving went into effect.

There is a lot of ground with plenty of trees to make it shady and cool. At the refreshment stand, soft drinks and candy are available. Tables and benches for your lunch or for various games are scattered here and there throughout the grove of trees. There are several outdoor fireplaces handy where you may cook your lunch. However, be extremely careful and see that every last spark has been extinguished before you leave the grounds.

Of course, there is also a pond for swimming with a sanded beach. Free bath houses are available for your use.

Remember, on Sunday the buses run every hour starting at 10 A.M. until 7 P.M. and start the return trip from the Grounds on the half hour following each trip.

Scovillites To Vote For SERA Officers

(Continued from Page 1, Col. 1)

Margaret Fenske, the present incumbent, is opposed for secretary by Helen Duffy of the Advertising Office.

Lyle Carlson, only nominee for treasurer and the present holder of that office, is an engineer in the Mills Methods Planning Office.

Fourteen directors are to be chosen from the list of 37 names appearing on the ballot. John Felon, North Mill, nominated to run for Board of Directors, has withdrawn his name from the slate.

During the past year, which was SERA's first, many activities along recreational lines have been successfully sponsored, and more and more employees are coming to find in it an opportunity to get better acquainted with fellow workers, and to follow hobbies and pastimes in which they are especially interested.

Candidates for other offices will be found on Page 6 of this issue.

Ensign Kay McKnight Visits Cost Office



Kay McKnight, recently commissioned an ensign at the Midshipmen's School of WAVES at Mount Holyoke College, returned to pay her former co-workers in the Cost Office a visit. Here she is being given a grand welcome by the girls.

News From The Scovill Diamond Circuits

City Amateur League

Scovill took the Washington Hills into camp Aug. 1 in a superbly played game of ball to the tune of 4 to 2. It was an all-star day for Scovill. Larry Mullen drove a double to right field to bring in the winning runs. The team is now tied in league standing and only half a game away from third place.

A spectacular feature of the play was put on by "Razor" Doran of the Casting Shop, who was playing with the Washington Hills. At first misplaying a long fly, he later circled around and mitted it.

Dusty Twilight League

The Dusty Twilight boys took a walloping from Waterbury Clock Aug. 4. They were beaten 8-1. The explanation seems to be that a number

It's Not Too Early To Do Christmas Shopping

Servicemen's Christmas Gifts Must Be Mailed At Early Date

Don't forget, you people who have men in the service overseas, to do your Christmas shopping early—as a matter of fact, why not do it this week?

This year, as last, gifts to Army personnel overseas must be mailed not sooner than September 15 or not later than October 15; for Navy personnel, the mailing should be done between September 15 and November 1. To assure delivery on time, Christmas cards should also be mailed during this same period.

Parcels must be strongly and carefully boxed, wrapped and tied, and plainly and fully addressed. They must not exceed the present limitations of 5 pounds in weight or 15 inches in length or 36 inches in length and girth combined. Perishable goods are not allowed to be sent.

Only through full compliance with these mailing dates by the public can the Army Postal Service transport and deliver on time the huge volume of Christmas mail for its overseas personnel.

So remember, it's never too early to start thinking about Christmas.

of the regulars were away on vacations, and subs were in the game.

Scovill isn't worrying so much about it though; for they have won the first round, and a playoff will come later. They play American Brass Aug. 11.

A special off-the-record feature of the evening was the base running contest between Hank Gragain and Bob Palmer of the Clock Shop — Hank won.

Men's Industrial Softball League

In the Men's Softball game with American Metal Hose, Scovill came through with its eighth straight win. They're at the top of the league now with nobody near them. The score was 4-1.

Joe Begnal clouted out a homer with two on, and Jim Crowe with his strong arm caught three men stealing at different times during the game. Gordy Groff was in his usual form and allowed only four hits.

The outfit played Chase Metals Aug. 5, and are to face Benrus tomorrow night.

Girls' Industrial Softball League

The Girls' game with Chase Metals scheduled for July 29th was postponed because of wet grounds. They will face the Ingersoll aggregation Aug. 12 at 6:30 p. m. at Hamilton Park.

Three Scovill girls have landed a place on the Industrial League All-Star Team, according to a report from league officials. They are Mary Goffin, pitcher, Mary Miklinevich, outfielder, and Florence Hedegus, utility outfielder. Nelson Squires of the Mill Production Office, is their coach.

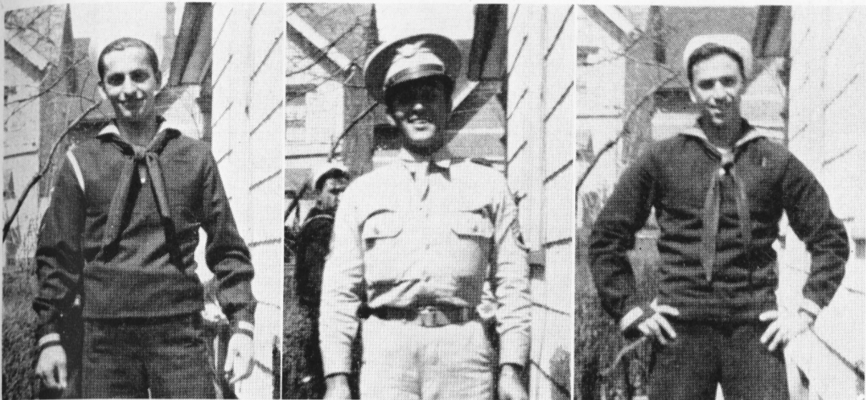
Inter-departmental Softball League

Inter-departmental League top teams are fighting it out to see which will get into the round robin play off which begins Aug. 12th. Tonight Tin Shop plays Metals Stores, and ASMD plays the Case Shops.

The first play off game will come on Aug. 12th. Games will start at 6:15 sharp.

Five Guerrera Sons In War Forces

Father A Yard Department Man For Thirty-Three Years



In the upper left is Mario Guerrera, seaman 2/c, U. S. Naval Torpedo School, Newport, R. I.; next is Staff Sergeant Michele, Medical Corps, 37th Fighter Control Squadron; and Tony F., Pharmacist's Mate 3/c of the Navy. Lower left is Sergeant Louis, 68th Bomber Squadron, U. S. Army Air Forces; lower right is Saverio Guerrera, father of these stalwart fighters; and Corporal Joseph, 717th Bomber Squadron, Army Air Forces.

Saverio Guerrera, cement worker in the Yard Department, has the unique distinction of having given five sons to the fighting forces of Uncle Sam. Three of them also are Scovill employees, and a fourth was about to come into the plant but decided to volunteer for war service.

The family is further distinguished at this time by the fact that Mr. Guerrera has been a Scovillite for thirty-three years.

Staff Sergeant Michele, the eldest of the group, has been in the service three and a half years, and was recently at March Field, Calif. Joe, an

engine specialist with the Air Forces, has been in service a year, and formerly was a Scovill Yard Department employee.

Tony, at last accounts, was taking care of shipmates under the weather at Fort Schuyler, New York. He used to work in Waterville Division a year ago.

Louis when last heard from was with an Air Force Bomber Squadron in England. Mario, the baby of the lot, now 20, is a seaman 2/c and in training at the Naval Torpedo Station at Newport. He went into the service from Scovill's Training Room.

Gleanings From Around The Plant

By Russ Hickman

Eddie Brown, X-Rod Mill, wonders what happened to the corn he planted in his victory garden. Thinking it may be growing down instead of up, he has cancelled the corn roast he promised the boys.

Smiling Joe Vance wins the hand embroidered overshoes for his wit in story telling.

Margaret Bergin, Blanking Tool Room, spent part of her vacation on a boat ride from Albany to New York. Wonder if she prefers moonlight or the noon ones?

Casting at night for bass, Martin Carlson, Grinding Room, brought one in.

It is no fair for us not relating about Dorothy Mays' recent week-end in New York City, and it is no fair for Dot not telling us all she did there.

The people on East Main Street can get a good look at B. J. Hine and Walter Racicot at their desks in their new quarters. Very soon a suggestion will be coming in to get them some glass screens.

Was Fred Clay, Button Tool, sur-

prised when his pal, Jean Marguard brought in a birthday cake to honor the event? It even had candles.

Besides Bill Vining, A.S.M.D., how many others had a birthday on the same day as Mussolini's?

Shirley Erhardt and Helen Slager, A.S.M.D., returned to us after a week's vacation in Atlantic City to report they had a swell time.

Margaret Lawlor has returned to Metal Stores Record Office after an operation and a long siege of sickness.

Andy Wylie, Mech. Engineer's Office, on leaving us to join Uncle Sam's Ski Troops, was given a going away party by his fellow-workers at the Press Club. Hector Boulanger presided as M.C.

If the story we heard is correct, Bill O'Dea is going to be certain Jim Wild will never mislay his badge and pay a quarter, even if it gets down to Bill keeping it in his own hip pocket for Jim.

Charlie Marcellus and Cam Klobedanz got away from it all for a few days by going to New York City.

Breath Of Wisdom

(Letters from a Retired Foreman to His Son)

Dear Willie:

As I said before it all depends on how you look at it. Many times we get the wrong slant on a situation due to a prejudiced outlook.

There was quite a little commotion in the rear pew of the church Sunday. Every little while you'd hear an undertone of voices, then somebody'd drop a book. Some of the boys had ants in their pants and just couldn't keep still. Under cover of the hymn singing, Deacon Witherspoon put them out.

Winnie Hawley was highly indignant about the whole thing and made no bones about expressing her opinion of the way some people brought up their children.

"Well," Deacon Witherspoon said, "I wouldn't be too hard on the parents. Boys will be boys, you know."

"I don't care," Winnie insisted. "Children aren't half brought up right these days."

"Mebbe you've got something there, Winnie," the Deacon agreed.

"I'd like to give those boys a piece of my mind," Winnie sputtered.

"Why don't you?" the Deacon asked. "They're in your car waiting for you."

"In my car? Why are they there?" "Well, they're your boys, Winnie, so you go over and lay the law down." She did—and it stung.

Your Affectionate Dad,
Arza Garlic



By Jack Driscoll

Lou Raggazino and Catherine Stack returned after vacationing in different places. We hope they're in the pink now.

Ruth Fenn has finally gotten rid of her heavy suntan. How she did peel these last few weeks.

At this reading, yours truly will be back after a week in the local tropics.

Joe Vance has almost fully recovered from the accident to his hand. Watch out, fellows.

A Pair Of Scovill Beauties



Carol Ann Cote seems a little shy of the camera. She is the four-year old daughter of Veronica who works in Chucking.



Dear Sir:

I am taking this opportunity to say hello to the boys of the Tube Mill Finishing, especially the second shift.

I was more than happy to receive *THE BULLETIN* out here in the Pacific. It's a great enjoyment to read it when we are so far away, and it takes the place of letters.

Keep up the good work and keep on buying those bonds as they are what keep us going.

P.F.C. Albert Scarvota
Somewhere in the Pacific

Dear Sir:

I am somewhere in North Africa and it's much better country than it's cracked up to be. I'm not in a regular outfit, but I'm going to join one soon.

In closing I want to extend my sincere appreciation to Mr. Barrett, Sam, Frankie, Chick, Ray, Joe and Milton for the things they did for me. Keep the war materials rolling for us boys over here.

Pvt. Joseph Summa
Somewhere in North Africa

Dear Ed:

Just a few lines to let you know I am still around and kicking. I haven't forgotten my friends in Chucking and the North Mill.

I get *THE BULLETIN* and I sure appreciate it. When I'm through with it, I leave it in our dayroom for the other fellows to read. Once in awhile a fellow will say, "That Scovill Company you worked for, Holihan, must be quite a place. It certainly has a lot of pretty girls."

Everything is running smoothly and everybody is happy, even the Arabs. The Arab kids pester the life out of us for gum, candy and cigarettes.

My best regards to all and keep smiling.

Pvt. John Holihan
Somewhere in North Africa

These boys send their regards: P.F.C. Clifton Elliott (Mfg. Eyelet) Miami Beach, Fla.; Cpl. Peter Petruskas (Scrap Room) San Francisco, Calif.



Almost two years old, Barbara Ann smiles readily for the cameraman. Her dad is Anthony Sylvestra of the Dip Room.



THE BULLETIN



Published Weekly By The Scovill Manufacturing Company
In The Interests Of Its Employees
99 Mill Street, Waterbury, Connecticut
Editor—Francis L. Smith

"We pledge ourselves to investigate thoroughly for accuracy before publication the material presented in THE BULLETIN!"

Vol. XXIV

August 9, 1943

No. 6

SERA Is Worthwhile For All

Tomorrow all employees in Scovill City will be given the opportunity to participate in the annual election of officers of the Scovill Employee Recreation Association of Waterbury, Inc. This is because by vote of the Association's directors last Spring all persons working in Scovill are now members of the association.

Payment of dues to insure membership is not required, and there is no obligation of any sort assumed by an employee when he or she votes or in any way takes part in the doings of the group.

The Association is just what its name implies, a voluntary joining together of all Scovill men and women for purely recreational and cultural benefits to each.

It is obvious that if all Scovillites will join heartily in promoting the opportunities possible in an organization of this sort, the resulting benefits to individual employees will be great indeed. How great they will be to any one person of course depends primarily on that person himself. The return to him or her will be in direct proportion to what he puts into it.

It's to be hoped that all Scovillites will vote tomorrow for the candidates of their choice, and further, that in the coming year they will enthusiastically enter into all SERA activities. It surely will pay them to do so.

Lady, Must You Stay At Home?

Maybe This Plan Will Be Of Help To You

We are convinced, after talking with some of our neighbors, that there are many women who would like to work part or full time in war plants, but they cannot do so because they have to stay home to look after small children.

THE BULLETIN would like to suggest to these women a way out of this difficulty. With the help of a little community cooperation we feel sure they can be released from their homes and be permitted to take their places alongside thousands of others in war factories, where they can give splendid help in the big job of licking the Axis.

Our suggestion is this: On every city and town street there is doubtless a woman who is fond of children and who would be able to give the necessary time each working day to looking after those of her neighbors, at her own home, thus relieving the mothers of the necessity of staying at home for this purpose.

The woman who volunteers and does this little job of caring for her neighbors' children would thus become herself virtually a war worker, and would be doing a very essential bit in the big task of beating Hitler.

Let's try it ladies! Who'll be the first to start the plan agoing?

Corporal



Corporal Charles Petosa is with an M.P. company down in Texas. His wife, Lucille S. Petosa, is employed in Trim and Knurl.

Old Timers' Sick List

Harry Shaw, Milling and Grinding; and George Nolan, Tube Mill have both returned to their work after brief illnesses.

Park Pool Opens Early For Late War Workers

Asst. Superintendent of City Parks Bill Derwin announced this week that the Chase Park Swimming Pool is to be open hereafter at 7 A. M. Tuesdays, Wednesdays, Fridays and Saturdays to accommodate war workers who work late.

The Pool will be reserved for men and women up to 9 o'clock on those mornings, and then will be turned over to the kiddies and other town-folk for the rest of the day up to 6 P. M., when war workers may have it again.

VOTE

TOMORROW

TUES. Aug. 10th

VOTE

THERE WILL BE NONE OF THIS...

ISN'T HE HANDSOME
BOY! SHE'S A PIP

LOOK THROUGH YOUR BULLETIN—PICK OUT THE ONE YOU THINK IS BEST SUITED FOR THE JOB...

NO POLITICAL SPEECHES

GEO. SLATER

Budgeting Will Help You To Meet Expenses

Income Tax Deductions Budget Your Tax Obligations

Probably most of us do not budget our expenses. If we realized the advantages, more of us would.

The budgeting idea might be expressed in another way, by stating it as estimating expenses in advance, or making income fit expenses.

It is not suggested that every last item, such as admission to the movies or extra ice cream, be budgeted but only the more essential items, particularly those that must be paid regularly and at some specific time.

All of us require food, shelter and clothing. Other things are necessary and desirable, but these are the fundamentals of life. If you estimate your weekly or monthly expenditures for these items, you may find it will cause you to be more careful, thereby perhaps spending less than otherwise would be the case.

Income tax is another item which may well be included in a budget, as it is an item that must be paid.

It has recently been said that, since the Government is withholding income tax from our pay, this constitutes an additional expense, making it necessary in some cases to reduce our subscriptions to War Bonds.

This is false reasoning, as the pay-as-you-go method now in effect on income taxes has really budgeted this item for us, and makes it much easier to meet than if it accumulated and became due in one sum at the end of the year. In total, it is no more than it has been previously.

Most of us have a desire to set aside something for a rainy day to meet some unforeseen contingency, and this is where War Bonds fit perfectly. If you buy a bond regularly each month and hold it to maturity, ten years hence you have an income each month of one-third more than the amount you paid in. In effect, it is an annuity, and will be an addition to your income at the maturity date.

It should be clearly understood that

the Government (you and I) has two sources of income: taxes and borrowing. Taxes are a definite expense, which we shall never recover, but when the Government borrows, which is what it does when we buy bonds, that is repayable and the more we loan now in the way of bond subscriptions, which ultimately will come back to us, the less it will be necessary to collect through taxes, which will not come back to us.

Summarizing:

First, try budgeting, see if it doesn't help you;

Second, do not consider deductions for income tax an additional expense, but a part of your budget;

Third, buy War Bonds to the limit of your ability, as a means of helping your Government and yourself.

Training Course

The following boys were hired into the General Training Course during the week of July 26, 1943:

William R. Hastings who was assigned to the West Machine Room, and John Earley who was assigned to the General Training Room.

To Glen Garry

By Anonymous

There was a young man named Glen Garry
Who affected a manner quite airy,
And professed not to mind—
Though he secretly pined—
When a turned worm gave him the raspberry.

So let him be all of a flutter,
And think of wise come-backs to mutter.
He'll be covered with shame
And still not know my name
When they carry him out on a shutter.

Poison Ivy Has A Knockout Punch For Many



In the picture at the left is the villain of the Summer playtime of many people. It's a cluster of leaves of the bright green plant, Poison Ivy. At the right is a closeup of an ivy leaf, and above it is the perfectly harmless wood-bine which when the bottom two leaves are ripped off, resemble poison ivy.

In the good old summertime, all sorts of folks — young and old—workers and loafers, get out into the open where the green grass calls, and the shade of nice trees gives shelter from a burning sun.

That's a good time for most folks to watch out! Poison Ivy is around!

This bright-faced resident of summer outdoors just loves to get close to people and rub against their hands and faces. Whew! What results he does get! In a few hours' time, his victim will be plenty red, and hot and itchy! The man or woman who is his prey is likely to be away from work and play for a week or two right in the best part of the vacation season.

The pictures above may give you some idea what the ivy leaves look like, in case you've never yet made their acquaintance. They're bright green and smooth and shiny, often grow in the shade of oaks and apple-trees, whose trunks and limbs the vines will entwine. You're likely to find them around old stonewalls, too, when you want to climb over them in your summer ramble.

Some people are not affected by poison ivy at all, while others seem

to get the infection almost by just looking at it. There seems to be no way to find out in advance whether you are immune or not.

If you were born subject to its ravages, it will get you if you don't watch out!

"Bridge of Vessels" Takes Goods To War

Scovill-made war goods are reaching the battle fronts successfully in spite of the U-boat menace because the U. S. Shipbuilding Industry is turning out the greatest "bridge of ships" in the World's history in order to bridge the Atlantic and Pacific Oceans, according to a recent statement of the U. S. Maritime Commission.

Over 2000 vessels will be produced in shipyards in this country alone during 1943, it is estimated. There are at present over 700,000 men and women employed in shipyards in this country, and engaged in this work of shipbuilding in part are thousands of others, among them Scovill's thousands, who are producing vital parts for ship construction.

Ship production during the month of June was about seven times greater than the amount of shipping lost in that month because of U boat attacks.

The Merchant Marine Service is the most steadily exposed to enemy action of all front line services. Its casualty list is larger, figured on a percentage basis, than that of either the Army or Navy or Air Forces.

Watch Your Chemical Hazards At All Times

Label plainly all bottles and carboys which sit around where you work or live. It's easy to pick up the wrong bottle at times, and the consequences of using the wrong bottle frequently are very serious.

Chemical burns may be caused, or explosions which break glass may result.

Keep plenty of water nearby so that if you do get a burn, you can flush it immediately with water. That will mitigate the damage if done quickly enough.

Lost Time Accidents

The following is a list of Lost Time Accidents for the week of July 10, 1943:

George Kalinauskas, Casting Shop, claims that while working on molds, felt pain in hip which was found to be strain—Lost Time, 16 days.

Anna Reilly, Loading Room, while working suffered from heat exhaustion—Lost Time, 2 days.

Harry Skrapolsky, North Mill, slipped on oil receiving severe strain of left knee—Lost Time, 4 days.

Edward Baummer, cut fingers on piece of scrap metal lacerating fingers—Lost Time, 3 days.

Norris Person, North Mill, bar fell on finger causing tiny chip fracture finger—Lost Time, 3 days.

John Prokop, Casting Shop, claims that while lifting bar, felt pain in side which was found to be hernia—Lost Time, 4 days.

Antonio Almeida, Casting Shop, when chain broke, bar fell striking left side, causing contusion and laceration over left spine—Lost Time, 3 days.

Thomas Lampert, X-Rod Mill, claims that while working on saw, felt something snap in back—Lost Time, 12 days.

William Hawkins, Tube Mill, injured right elbow—Lost Time, 10 days.

Earl Johnson, East Mill, scratched finger on bar receiving abrasion tip of finger—Lost Time, 2 days.

Louis Santos, Casting Shop, truck struck right ear causing laceration and contusion—Lost Time, 2 days.

Edward Garthwait, Pipe Shop, manhole cover fell on toe causing compound fracture—Lost Time, 32 days to date.

Ida Hamon, Case 3, while packing shells, strained right hand—Lost Time, 3 days.

Waterbury Harvest Show September 16 and 17

Scovill Gardeners Invited

Scovill gardeners are invited by the sponsors of the Waterbury Harvest Show to exhibit the products of their gardens and their summer's toil in Temple Hall, Park Place, Thursday and Friday, September 16th and 17th.

Classes will be filled for 36 types of vegetables, four classes of fruits, 11 sorts of canned goods, and 16 classes of flowers; also for special artistic flower arrangements.

There will also be classes for Juniors (children not over 17 years old). Ribbons will be awarded to first, second, third and honorable mention winners.

Scovillites desiring to enter the show, may get entry blanks and all necessary information from Miss Lois Candee, Real Estate Office, Spencer Block, East Main Street.

To Anonymous

By Glen Garry

A nimble-witted rhyming cuss
Styling himself Anonymous,
Took to hand the blunderbuss
That all appeasers carry,
And then proceeded to trip the rote,
"Invoke the muse." (From him we quote.)
And with the weapon mighty, smote
Who calls himself Glen Garry.

He says the latter writes in blurbs.
Employing other nouns and verbs
He flutters on. He never curbs
Efforts his RHYME and WORDS to
marry.
'Twould seem as tho' his RHYME were
vain,
And that his WORDS, pursuing swain,
Had better stop; then start again
With lessons from Glen Garry.

Boasting remaining unknown still,
Hiding behind Anons' old quill
He most assuredly always will.
Come on! Anon! Thrust! Parry!
Pens are mightier than the sword.
Only bulls are ever gored.
Those you've thrown really bored.
Anonymous! I tarry.

P-36 Bombers Blast Path For 7th Army

Scovillites Proud Of Planes

Credit for the spectacular breakthrough of the American 7th Army at Troina, Sicily, on August 3 was given by Lt. General George S. Patton, Jr., to a Squadron of P-36 Fighter-Bombers, who blasted to bits a German artillery unit which was blocking the American advance.

This is encouraging news for all Scovillites because they are turning out every 24 hours vitally important parts for more mighty P-36 fighters.

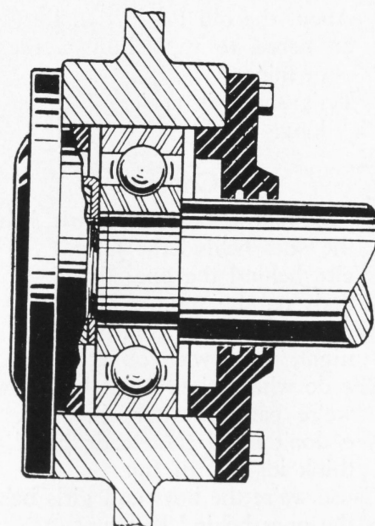
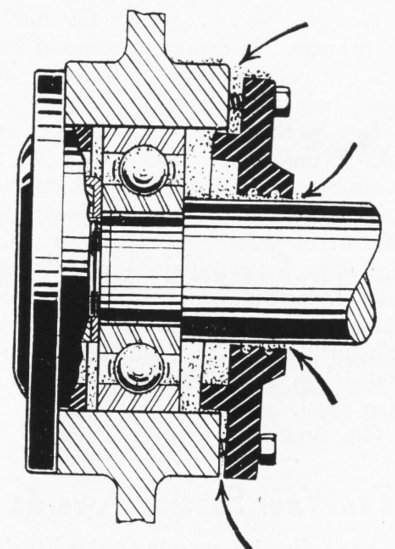
Scovill men and women who are producing newly improved Scovill parts for these P-36s, can be pardoned for a feeling of elation and pride because they helped at that critical battle, too.

And everyone of them will redouble their efforts to keep these fine products rolling off the assembly lines so that our fighter-bombers will quickly win more decisive battles.

Anti-Friction Bearings Are Scarce Protect Operating Bearings From Dirt

Wrong

Loose bearing covers permit dirt to get into bearing, causing excessive wear and heating.



RIGHT

Protective covers are tight and prevent dirt getting into bearings.

Good Craftsmanship Wins Wars

Fuse Assembly Bride



Rosalie Jason, now Mrs. Leland Mullen, was married Saturday, July 17 at St. Anne's Church. Mrs. Mullen is a Fuse Assembly worker on the third shift. Her bridesmaid is Eunice Ridenhour also of Fuse Assembly.

Meditation

By C. Mentite

If vegetables, eggs and poultry required points in this rationed world, I would have another candidate for the Scovill "S"—that honorable award for Stampless Food Service to Scovill employees.

This token of gratitude would go to that farmer-machinist from Maine, a stalwart descendant from the sons of France who are never too far removed from agricultural pursuits.

This year he nursed a hitherto insignificant garden into a full-fledged producing farm. At first, the boys scoffed at his efforts and made all kinds of agreements to buy his entire output at ridiculous prices without ceiling or cellar. Our Frenchman adopted a "je ne comprends pas" attitude until recently when the crops began to mature.

Now he's victorious over his former persecutors whom he has at his mercy. And how they beg him for that food which he grows. "Quel bonheur" to have your enemies eating out of your hand. Revenge ees sweet!

However, he's not selfish, this noble Frenchman. He brings in some of his produce occasionally. "Voila," he says, "help yourselves."

Last week he gave a cucumber to one of the boys. Now I thought a cucumber was a legume to which the sun's rays imparted an invigorating amount of chlorophyl. However, this one must have contained chloroform instead, for the man who ate it passed out completely . . . in toto. As this is being written, he is still in a coma; that is, in slightly more of a coma than usual.

Oui, mes amis, revenge is sweet!

Ten-Year Service Awards

The following people received their ten-year anniversary pins in recognition of continuous service:—

Harry Kushvara, Yard Department, and John Moriarty, Wire Mill, both as of August 1; Stanley H. Koachman, Plant Protection, as of August 2; Thomas M. Barrett, General Training, as of August 3; James F. Coffey, Planning, Annie M. Demske, Cosmetic, Rolland J. Dupont, North Mill, Lucille S. Petosa, Trim and Knurl, and Josephine Levenazius, Waterville, all as of August 4; Arthur O. McSweet, Napoleon D. Blanchard and Carl Carangelo, all of Waterville and all as of August 7.

North Mill News

Second Shift

By Walter D. Dean, Jr.

We were all glad to see Joseph Shelley from Camp Shelby, Mississippi.

Word has been received that John Riley is at sea somewhere in the Pacific.

Fritz Wegner is attending Officers' Training School. Good luck, Fritz.

Bertha Halit is back after an absence of two weeks. Welcome back.

Sorry to hear Jack Finn is ill. Hurry and get well, Jack, we all miss you.

Henry Kobylenski, the smiling tool-setter, has been working in the mill for 30 years. He has 2 sons in the service.

The best working team in the mill is Gus and Tony.

Varieties From Case 1

By Farrell and Sheehan

The boys all had a smoke on Nick Lanese's "Fust Commando," but the girls want to know when their treat is.

Tony Cichon was proudly showing pictures of his darling daughter the other day. He claims she is the picture of her dad. But the co-writer of this column says hats off to the ma.

Francis Ryan is the proud owner of a litter of pedigree cocker spaniels. Anyone wishing to buy one, may contact the spaniels by calling Francis at Case 1 or at Marion 18G2.

We are all sorry to hear Emma Leonard sprained her ankle. Hope she'll soon be back.

Leon French has become a champion coffee drinker and will challenge anyone to drink more java than he can. Did you get a cup on the house yet?

Al Michaud returned Monday from his vacation sporting a moustache. So nice, Al.

Plans are being started for the Case Shop musical comedy to be given October 1.

Cliff Green Gives The Boys-Girls A Song

Cliff Green, song composer of the Chucking Department, has written a song in honor of Production line in answer to many requests. Here it is, sung to the tune of "McNamara's Band." We think it is pretty good; how about you?

The Boys And Girls Behind The Ones Behind The Guns

They Challenge us to write a song,
About the old Production line,
So here's to ya, fellow workers
of mine,
Let's shout it at 'em loud and
long.

Chorus

Oh we're the boys and girls behind
the ones behind the guns,
We're behind the ones that have the
Axis on the run.
We work all day and we work all
night, we never stop at all.
We do what's right cause by the way,
we're partners after all.
We don't mind the steady grind, we
think it's sort of fun,
Cause we're the boys and girls behind
the ones behind the guns.
The Allied troops are marching to the
tune of get your gun,
And we're the boys and girls behind
the ones behind the guns.

John Rollo Finishes Quarter Century Run



John Rollo

JOHN ROLLO of the Steam Department is this week receiving his twenty-five year gold service pin.

He first came to Scovill in 1918 and went to work for Mr. Allis in the Yard Department as a general helper. A little later he spent some months in the Plating Room, but soon returned to the Steam Department to work for William Foley and Bill Carruth. He has stayed there ever since and is now an ammonia operator in the refrigerator plant.

John says he likes it in America, and has been proud to raise a family of seven children as good American citizens. Two sons are now in the Armed Forces — Ernest, the eldest, is attending an army mechanics school in Illinois; and George is in a military police battalion at Spokane, Washington.

He was born in Avellino, Italy, and came to the United States in 1904. Very soon after arriving in New York, he came to Waterbury and has made his home here ever since.

"I have liked working here at Scovill," John recently told *THE BULLETIN* man, "because I have always had the good fortune to have fine bosses. That has helped a lot."

Machine Tool Room News

By A. Guastaferrri

Thanks to Roy J. who wrote this column while yours truly was away. Roy is vacationing himself this week. Has the state of R. I. attracted him?

Bill B. is also vacationing this week. Could Fairlawn be his rendezvous?

Hey there, Ed A., please let the mail go through. You, too, Larry P.

A committee has been selected to begin plans for an outing in the early part of September. Karl K. has suggested that we hold it at his place.

Thelma and Beverly are the tool room's contributions to the Scovill Sweater Girls. The other day Thelma was saying how much she enjoyed marching. What we should have is more parades.

Gene F. claims that the blueberry bushes out his way grow to such enormous proportions, that the blueberries actually could be picked at the rate of five quarts in two hours. Blueberry pie lovers, please take note.

Loading Room

First Shift

By Kay and Mae

Sooner or later people usually receive what they deserve and Evelyn Sweeney did. Have you noticed the beautiful diamond on that certain finger? Lots of luck, Ev, and who's the lucky boy?

Little Phyllis Klocks, who is leaving us to join the WAC, was presented a watch. She may not have time on her hands, but she will have it on her wrist.

Holding out on us, Bernie? Have you convinced people yet that it was paint on your collar and not lipstick? We doubt it.

Paging Jimmy Doolittle: The Loading Room hasn't forgotten the first American bombing of Tokyo, for we have just bought \$1,230 worth of War Stamps for the Shangri-La.

Pvts. Frank Pruscino and Chick Kantos paid us a visit last week. Army life sure agrees with them.

Kate Culhane, Bessie Fowler and Emma Riley received beautiful birthday gifts last week. We can't guess their ages, but they sure look younger than ever.

Third Shift

By G. and I.

The return on the War Stamps was very good this week. Keep it up, girls.

We welcome Irene Sathory as reporter for the room.

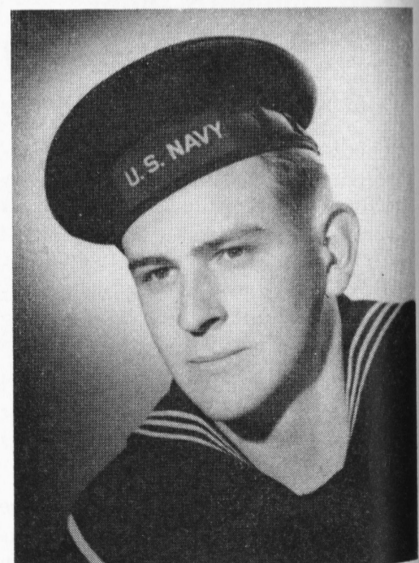
Susan Calamita and Bea Thomas have left us—Bea has gone back to her children in Pennsylvania, and Sue has returned to New Haven.

The girls on No. 3 Table had a surprise birthday party for Ann Kumpikevich at the Flamingo Room recently. We were all envious of your beautiful flowers, Ann.

The girls certainly appreciated your vacation cards, Margaret.

You certainly made us envious, Howard, with your cards from Canada.

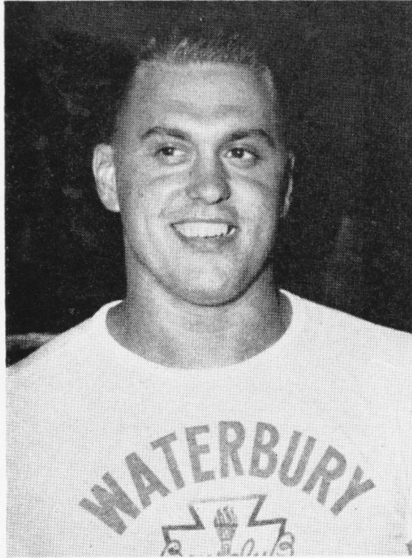
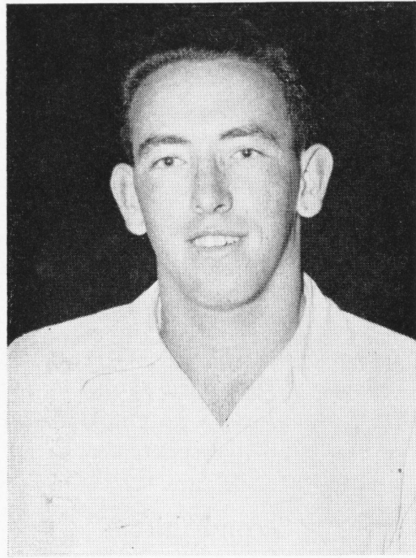
Chubby



John (Chubby) Corcoran, son of Catherine of the Loading Room, is studying electricity at Newport, R. I. Upon successful completion of the course, he will be rated as Electrician's Mate, 3/c.

Other Candidates For SERA Offices

For Vice-President



James V. Bicmca, a toolsetter in Case No. 2, is a football enthusiast. He's one of the boys of the All-Waterbury, semi-professionals, and has also played with Johnny Hoben's South Enders.

John Kane has been in training in the West Machine Room for about two years. Johnny made quite a hit as prompter at the square dances at Doolittle Alley last winter. He's a graduate of Crosby High.

Joe Runividge came to Scovill's Hot Forge Department in 1939 to work as floorman. Working in the same department he has been beltman, stock clerk and at present is supervisor of incoming raw materials.

Anthony Sebastian of Central Time has been with Scovill 8 years. He began as checker and purveyor in North Mill, and is now Clerical Supervisor of Manufacturing Timekeeping and Tabulating.

For Secretary



Margaret Fenske, renominated for secretary, entered the Plant via the Central Time Office almost ten years ago, then worked in the Asst. Treasurer's office, and now is Assistant to the Editor of THE BULLETIN.

Helen Duffy, stenographic clerk in Advertising, came to Scovill in 1936 and worked for a while in the Production Office. Now she helps to tell the world about Scovill's far flung activities in pushing on to Victory.

For Treasurer



Lyle Carlson, the man from The Black Hills, who did such a fine job as treasurer last year, is the only nominee for that office. He's Mills Methods Planning Engineer, and has been a Scovillite for 12 years.

Board Of Directors

(Fourteen to be selected from Column 1 and Column 3.)

- Frank Smith, Bulletin Office
- Mary DeMers, Fuse Assembly
- Chick Toletti, Electrical
- Ruth Reichenbach, Employees' Information
- Tom Dillon, Mfg. Metal Stores
- Evelyn Sweeney, Fuse Loading
- William Vining, ASMD Tool Room
- Art Chieffo, North Mill
- Vic Reynolds, Blanking Tool
- Walter Munson, West Machine
- Louis DeVoe, Pipe Shop
- Stanley Weiss, Hot Forge
- Tony Masi, Tin Shop
- Joe Balfe, Blanking Tool
- George LaPointe, Milling and Grinding
- Lucy Kelly, Telegraph
- Charlie Ciarcia, Fuse Loading
- Tom Colella, Carpenter Shop

Board Of Directors

- Ann Drago, Chucking Department
- Henry Masi, East Rolling Mill
- Chris Poulsen, Planning
- Bob Schwenterly, Chucking
- Ed. T. McGrath, Mfg. Metal Stores
- Eddie Sabis, Casting Shop
- Tom Kaukas, Blacksmith Shop
- Aldona Reynolds, Special Training
- Francis Sheehan, Case 1
- Louis Chieffo, Tube Mill
- John Carbon, Tin Shop
- Jerry Ricciardi, Millwrights
- John Felon, North Mill
- Tony Lombardi, Chucking
- Gertrude Swirda, War Production
- James Smith, Mill Prod. Office
- Louis Talbot, West Machine
- Mary Goffin, Assembly
- Alfreda Heald, Radio
- Chris Horgan, Trucking

Philip DiStiso Gives A Hand On Rendova



Phil DiStiso, inset, formerly of Mfg. Eyelet, is somewhere on Rendova Island, with the Marines. On the extreme left, Philip helps to carry a generator, possibly belonging to 155-mm. cannon. Charles DiStiso of the Plating Lab is Phil's father. He is married to the former Mildred Guisto of Waterville.

—Associated Press Photo

North Mill News

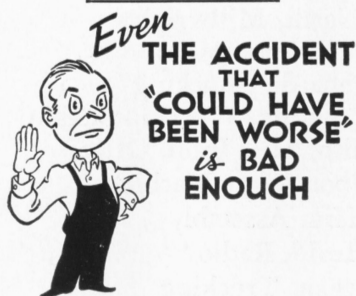
By The Mad Roosbun

This week, guys and gals, we are voting to fill the offices of the S.E.R.A. Ward "Zeke" Hobbie, Jr., right from our own Mill, is running for President.

Give 'Em Hell!

By Glen Garry

Hear that rumble of machinery
From the bowels of the mill?
See that verdant summer greenery
On the brow of yonder hill?
Feel that belly-full within you?
Food, you gluttoned on today;
And tonight you go and gin you
Or you choose some form of play
That satiates your love of life
From day to placid day.
These things are your heritage,
A few of many more
That, to attain, our enemies
Have us engaged in war.
And that some of our fellow-men
Are, damned well, fighting for.
It's nice that pleasant rumble;
Quite a sight that verdure green,
Nicer sound than guns that grumble,
Nicer sight than some are seeing.
Filled up gut from overeating
Pains less than from lack of grub,
And a stealthy fox-hole meeting
Is less pleasant than a pub.
We enjoy it. They fight for it.
We've no gas. They've no home.
We've got rations. They've whole
nations
Out to perforate their dome.
Old traditions in both places,
Drawing sword and aiming spear.
Today's and history's grand old
faces
Should inspire our acts from here.



"Zeke," as he is called by his fellow workers, has always been keenly interested in sports, the stage, politics and other activities. He was our team softball pitcher; treasurer of our minstrel; has directed and participated in church plays; and is the Mill's leader when it comes to any recreational, social, or welfare activity.

We strongly urge you to vote for "Zeke" because: he was a charter member of the Association; he took part in many of the S.E.R.A. activities; knows many of the members personally; is well-versed in parliamentary law; and, last but by no means least, he has pledged his entire efforts to carry out the plans that have been laid by the capable, pioneer retiring officers.

Closing Room

By Jennie Cimaglio

The members of the War Production Committee honored us with their presence one noon hour by playing several records.

Rose and Millie harmonized on "You Are My Sunshine," and several of the girls enjoyed dancing.

We want to extend our deepest sympathy to Mrs. Kitty Martin who recently lost her husband. Kitty was a former worker of the Tack Department.

Lacquer Wash Splashes

By Monica Caisse

Liberty Ranaudo was bridesmaid at her sister's wedding last week. Seems like Liberty is a favorite when it comes time for weddings.

George Williams is threatening to get married. We're all waiting for invitations to the wedding.

Nancy Butler is vacationing this week, or should we say, she is recuperating from her weekend in New York City.

Charlie Coviello claims he would like to succeed Nicky as boss. He's practicing up now, just in case.

Rumors In The Chucking Dept.

First Shift

By Dot Hackenson

R. B. Piotrowsky, formerly of the Time Office, was made a sergeant in the Marine Corps out in the Pacific. His mother, Blanche Martinson, works in our department.

A blessed event (girl) has come to Mr. and Mrs. Mike Breen.

Vacations:- Marty LaVorgna at Woodmont sent on S.O.S. to Nick Coppeto to come down and help him pull the fish in. Nick rode down on his bicycle. Joe Langevin has returned from Cape Cod; Julia Barra spent the week end in New York; Helen Kelly was down in New Haven at the shore; Dick Simpson spent part of his vacation mowing the lawn at Stoney Creek.

Second Shift

By Eddie Hajjar

Eddie Pannick was chopping wood because he says he can't get coal. How are the blisters?

Mike Gransky recently attended a real Russian wedding. Who took you home, Mike?

Nick SantaBarbara was recently blessed with a baby girl. The fellas got cigars anyway.

We'll be smoking more cigars pretty soon, as soon as we hear from prospective papas Joe Mikolsky, Larry DeMaida, Freddie Doyon and Art Denker.

All the timekeepers attended a birthday party held for Barbara Sills at Rosemary's house. Barbara received sterling earrings and pin.

Sally Squires has moved out to Cheshire. How do you like it, Sally?

Third Shift

By Nick Tamburello

To Peg King, Alice Smith and Hazel Shannon, we say happy birthday and don't tell anyone your age.

Our congratulations to Mary Zerblas and Pvt. Francis Minicucci on their recent marriage. "It looks like I dood it," says Mary.

Swing high, swing low, there goes Joe Grasso. Al Valentinetti would like

Cutting The Cake



Mr. and Mrs. Charles Platt, Jr. cut their wedding cake after their marriage on Saturday, July 24. Mrs. Platt, nee Ardith Ferris, works in the Photo Lab.

to know if Joe and his trapeze are part of the Barnum & Bailey Circus.

Vacation time found Joe Grasso and yours truly choo-chooing it to New York where we proceeded to take in the sights and in general to enjoy ourselves. Our only disappointment was the fact that Mayor LaGuardia was not there to present us the key to the city.

Marjorie Hurley and Clara Southwick, with the services of Sherlock Holmes and his dependable assistant, Watson, finally located Gloria Radke and Rosemary Malley who, it seems, got lost at the shore for a few days.

Grinding Room Grins

First and Second Shifts

By George LaPointe

Just heard from Bob Wood, formerly of 3-11, who is in Glendale, California attending the Curtis-Wright Technical Institute at Uncle Sam's expense.

Tommy Sathory, from whom we haven't heard much lately, drops a line from Camp Gordon, Georgia, where he is stationed.

Jimmy Johnson came back from his vacation last Monday all rested up after sitting under the old apple tree on the banks of the brook that runs near his home on Woodtick Road. Wotta life!

Francis Judd is getting around much better these days now that he has both feet on the ground. Judd was out of action a couple of weeks with an infected foot.

Martin (Gunder Haegg) Carlson went a-fishing at Quassy last week and caught himself a couple of trees while casting. He also lost one of those sure-fire fish-killer plugs.

Barbara (Sugar) Maker of the 11-7 is now a daytime grinder learning a few pointers from Edith Yarosh.

Norma Hamelin is back at her old stand after a trip that took in quite a few states.

Freddie Schlegel and Bill Wabuda, our two Civil Air Patrol boys, can be seen up in the air at Goshen every Sunday taking their flying lessons.

Just heard from radio officer Stanley Whiteman who has seen action somewhere with the armed forces for the past few months.

Special Training Room

Second Shift

By Lola

Mary Danese and her husband spent a delightful vacation camping near Winsted. They did some fishing too, catching small-mouth bass and rainbow trout.

Harriet Betinis is spending her vacation in Massachusetts.

Ruth Dennis Goldberg has been transferred to Electric Anneal. Good luck, Ruth.

Betty Fitzpatrick's husband was home for a weekend from Quantico, Virginia.

Ann Nadeau is spending her vacation near New London.

FUSE Assembly

First Shift

By Mary DeMers

Claire McNichols was visiting the big city last week on vacation.

Quite a few of the cast of our show, Victory Vanities, gave their talents for the benefit of the Kiwanis Club at the Y.M.C.A. recently.

Ralph Swift is back on his job after two weeks' vacation. I might add I'll bet he spent the time keeping the "doodle" bug from "dooding it" in his garden.

Cora Clemente of the Final Assembly spent her vacation at Lake George.

We all have someone we love serving his country in the armed forces. We would do anything in our power to bring him back to us safe and soon. Enlist in the war on careless talk. Think before you speak.

Second Shift

By C. Long

Our songbird, Ida Napoli, is back with us again after having her tonsils out.

Adele Cramer has left us to go back home to New York.

Lou Walsh was quite happy on her vacation since her brother who is with the Air Force in Idaho also spent a furlough at home at the same time.

Esther Sullivan and Anita Baker have also left our fold.

A hot dog roast was held at "Tinky" Hedberg's cottage at Lake Hitchcock. The girls who got together to say goodbye to Toni Blondin who left to join her soldier-husband were "Tinky," Toni Blondin, Barbara Rogers, Vera Robin, Bertha Blondin, Ida Bisnov, Ellen Dermody and Isabelle Christensen.

Vacationists this week are Carmel Amodeo, Edith Griffin, Mary Martin, Kay Karmazyn, Bertha Lane and Rose Vacco.

Birthday greetings to Eva Cavanaugh and Edith Griffin.

Tube Mill Briefs

First Shift

By Louis Cbieffo

The Mill boys tendered Mike (*The Mad Russian*) Ratusbni a farewell party prior to his departure to the Armed Forces. It was a whale of a party and showed the high esteem in which Mike was held by his co-workers.

Charley Berardi, hustling human dynamo, took a few days off from his arduous tasks to go to the shore and listen to the wild waves.

Charley Semetas and Julie Panalaitis are entered in the Scovill fishing contest and are planning to cop their share of prizes.

Eugene Garrison, crane trailer, and his wife celebrated their 16th wedding anniversary last week.

Second Shift

By J. P. Leary

Edith Grabn, popular office worker, is enjoying a well-earned vacation.

We hope Mr. and Mrs. Michael Sheron and sons enjoy their New York trip.

Louis Marchinak is another one of our old timers who has a cheery wave and hello for everyone.

Antonio Creto is a good example of "you can't keep a good man down." Tony underwent a very serious operation some time ago, but came right back on the job as soon as he could and has been steadily at it since.

Benjamin Bellucci doesn't lose any time on the job or away from it.

Some night John Lalus is going to mistake that large cigar for a tube and have two cigars!

Third Shift

By Ed Yurgaitis

Vincent Yarusavage and Henry Morin have both plunged the down price for one of the new defense homes going up around the city.

George Nolan doesn't feel any less chipper after passing the 60-year mark.

Peace and quiet that we had for the last few weeks is at an end—Eddie Crelan is back.

Servicemen Visit Hot Forge And Assembling



P.F.C. Leo Theroux, who has seen active service (notice the campaign ribbon) paid a visit to Hot Forge last week. He takes time out from answering questions to oblige the cameraman.

Pvt. Louis Sarandrea came home from Fort Dix, New Jersey to see his Assembling friends and former co-workers. The girls gave him a grand welcome.

Chemistry And Test—A. Y. D. Quiz, No. 16

By "Duke" Wade and Walter France

- The average one-year old baby weighs _____ pounds.
 - (A) 17.5
 - (B) 32.0
 - (C) 24.8
 - (D) 20.6
- A new-born baby usually _____ for a few days after birth.
 - (A) loses weight
 - (B) weighs the same
 - (C) gains weight
 - (D) is blind
- The average child at one year measures from _____ inches in height.
 - (A) 33 to 36
 - (B) 14 to 17
 - (C) 20 to 25
 - (D) 28 to 29
- Due to the vaccination of children, _____ is not as prevalent in this country.
 - (A) measles
 - (B) scarlet fever
 - (C) smallpox
 - (D) diphtheria
- Rickets, from a word which means to twist, develops in a young child when _____ is not utilized in the body.
 - (A) calcium
 - (B) phosphorous
 - (C) boron
 - (D) magnesium
- A baby six-months old may have _____ teeth.
 - (A) no
 - (B) 2 to 4
 - (C) 8 to 10
 - (D) 6
- The pulse beat on a two-year old child is _____ per minute compared to 80 per minute of an adult.
 - (A) 100
 - (B) 50
 - (C) 150
 - (D) 80
- Who said, "Everybody talks about the weather, but nobody does anything about it"?
 - (A) Abraham Lincoln
 - (B) Samuel Clemens
 - (C) Elbert Hubbard
 - (D) Theodore Roosevelt
- Which usually lasts the longest?
 - (A) A hurricane
 - (B) A cyclone
 - (C) A tornado
 - (D) A thunder shower
- When does the sun shine?
 - (A) Between sunrise and sunset
 - (B) On a cloudless day

ANSWERS:

- | | |
|------|------|
| 5. A | 1. D |
| 4. C | 2. A |
| 3. D | 3. A |
| 2. B | 4. C |
| 1. C | 5. A |

Swim Classes For Girls At Hamilton

It was announced by City Park authorities and Arthur Verry of the Red Cross this week that swimming classes for girls will be held at Hamilton Park pool Friday evenings from 6:30 to 8:30.

The classes will be under the direction of Miss Gladys Claps, Park Department and Red Cross instructor.

Girls seventeen years old and over may take the senior life saving tests, also those for water safety and accident prevention.

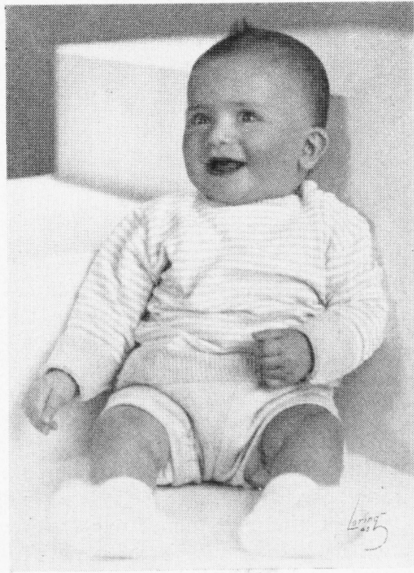
Doughboy's Bag Makes Good As Arab Pants

The manners, dress and customs of the natives of North Africa often seem strange to our boys. Captain R. J. Hopkins, a New Haven man now in Northwest Africa, reports that he gave an old barracks bag to a local sheik.

Imagine his amazement a few days later when he saw his Arab friend wearing the bag as his only garment! He had cut holes in the lower corners and tied the top around his middle.

The natives like chewing gum so well that they will part with most anything in the way of village food to obtain it. Consequently the American boys get their pick of what they want to eat. Even though it isn't the kind of provender that the boys were used to at home, yet the novelty of it gives them a big kick.

Two Lovely Scovill Children



All dressed up and pretty as a picture is 10 months-old Frances Barbara. She is the lovely daughter of Paul Maruca of North Mill Finishing.

Flashing a smile that would capture the heart of all is Robert Guiditta, 5 months old. His aunt Lulu and uncle James Pandolfe both work here.

All-Wool Blankets Again On Market

Give Them Proper Care For Lasting Wear

Since it is no longer necessary for Uncle Sam to take the major part of both domestic and imported wools, Mrs. Consumer can again have all-wool blankets; however there are restrictions in color ranges—four colors and white.



St. Marys Woolen Manufacturing Co.

If you need blankets, now is the time to buy them. Remember that they make wedding or Christmas gifts that become heirlooms.

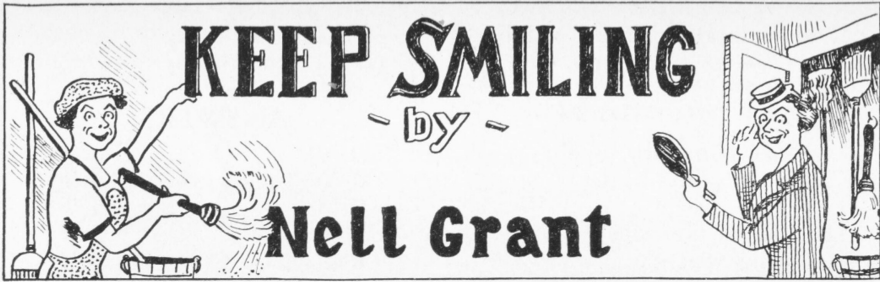
The scarcity, for a time, of all virgin wool blankets has made us appreciate them more than ever, so now we want to take the best possible care of them. We are giving away *FREE* to our readers a booklet on the proper care of your blankets. Just phone or write to *THE BULLETIN* for yours.

Here are a few hints we give you now on their proper care. There is a knack in arranging a blanket properly on the bed and it's vital to sleeping comfort.

First, place the blanket so as to allow ample tuck-in; then fold in bottom corners and bring folds forward tucking them in securely. Either let it hang loosely or tuck it in at the sides and end.

Avoid pulling and hard twisting when removing them from the beds. Although wool is strong and resilient, gentle treatment of your wool blankets in use will add many years to their life.

Brushing your blankets between launderings does two things: removes dirt and dust, and fluffs up the nap so it insulates more effectively. Brush gently with a whisk broom, always toward the binding, never across the blanket.



Good morning, dear readers; here's wishing you the beginning of a happy week . . .

Well, coffee lovers, how do you feel now since your favorite beverage has been taken off the ration list? I say it feels swell. By the way, do you know how to make some super iced coffee? Here's my favorite method: after making the coffee the usual way, cool it and then pour into ice trays and place into the refrigerator to freeze.

Then when you're ready for the drink, simply heat some milk being careful not to boil it. Even if you can get it, don't use cream.

Pour warm milk over the coffee cubes and you'll get a delightful drink.

Black Market . . .

It takes character, and good, strong character at that, to refuse to buy point-free butter from your farmer-neighbor down the road, or to use the ration books of your bachelor-friend who always eats out. It's things like these refusals that help stamp out the black market.

Two elements go into the making of a black market: first, crooks and cheats who are determined to make money either by the sale of rationed foods without the use of stamps or by charging for food above the legal ceiling prices; second, consumers who are bound by hook or by crook to get what they want regardless of the price they have to pay.

There wouldn't be a black market if every woman would put her foot down on every illegal and illicit practice she comes across during her shopping expedition. Yes, it's hard,

especially if your husband works in the casting shop where he has to take a substantial lunch and eat heartily again when he comes home for supper.

Most of the black-market meat has not been properly inspected, and any number of diseases or sicknesses may be contacted. Aged animals, diseased animals and healthy animals are all the same to these operators. Important and strategic by-products such as hides, adrenalin and insulin are wasted.

So, ladies, it is mostly up to you to put your foot down and stamp out that black market.

Try 'Em—They're True

Did you ever try using the card table to stand near the ironing board while doing the ironing? The clean clothes may be laid on it after ironing, and will then be ready to put away.

Save the peels of oranges and tangerines, dry them in the oven and store in glass jars. They give puddings and custards a delicious flavor.

Potatoes boiled in their skins can be made to taste like baked potatoes if a large amount of salt is put in the cooking water.

Before filling the teakettle in the morning, always let the water run a few minutes. Water left standing in pipes during the night is unwholesome.

To prevent tears in baby's stockings where they are pinned, sew a small square of muslin to the underside of the stocking where it will be pinned, and the life of the stocking will be lengthened.

Notes For Canning---No. 8

Here is another set of questions and answers on canning — questions that may have been puzzling you.

1. Q. Why does fruit rise to the top of the jar?

A. When canning fruits raw, the processing tends to shrink them, thus leaving several inches of syrup at the bottom of the jar. Processing too long may cause fruits to rise also. In the case of preserves, it is usually due to putting the fruit into syrup that was too thick at the beginning. This shrinks and toughens the fruit instead of making it plump with the gradual absorption of the liquid.

2. Q. Is it necessary to process vegetables the full length of time given on the chart if they have been pre-cooked before canning?

A. Yes, this processing is necessary.

3. Q. What is the proper way of testing the new war-time rubber rings?

A. They should be folded in half, if they spring back into their original shape without any sign of cracking, they are in good condition. Never stretch them as a test as they will not stand up under this treatment.

4. Q. What is the proper way of cooling jars?

A. Jars should be removed immediately after the processing is completed. They should be cooled on a

rack, permitting no jar to touch another and in a room where air circulates freely.

5. Q. Will the black on the tops of zinc jars harm the finished products any?

A. The black on the tops of jars is caused by processing in a copper boiler or in water where copper is present. However, this discoloration will not harm the food in any way.

6. Q. When should you start to count the time in processing?

A. If a pressure cooker is being used, time should be counted from



These canners are removing processed jars from the hot water bath and are setting them aside to cool, being careful not to allow one jar to touch another.

Glitter, Shine, Iridescence

. . . That is the theme of the new fall fashions. Not only evening dresses, but also the dresses you wear by day gleam with sequins and bugle beading. There are horizontal stripes — jagged as streaked lightning — of sequins on short evening dresses; there are vertical stripes of multi-colored sequins; and there are white beads shining on the lapels of a New York creation in black and white wool. These are the New York creations — in all price ranges — that women will choose when they doff their war-working clothes, and set out



New York Creation

This Peek-a-Boo dress is sweeping the town. A slim dark crepe for dinner and dancing with sheer lace shoulders and décolletage. Hollis Shaw of Phil Spitalny's all-girl orchestra poses.

for a gala date. War-working women want their leisure clothes to be feminine, gay, glittery.

The Chinese influence our fashions with a whole new series of New York creations in the bright terra cottas, turquoise blues and sea-greens, cut straight and narrow with high necklines, soft shoulders and little frog fastenings.

the minute the proper pressure is reached. In a boiling water bath, count the time when the water begins to boil after the jars have been put in.

7. Q. Why does the liquid boil out of the jars while they are processing?

A. The liquid will boil out if the jars are packed too solidly with food; filling the jars too full; boiling the water too rapidly in the hot water bath method; or using too high a pressure in the cooker.

8. Q. What is the reason for a faulty seal on a jar?

A. Old rubbers; chips or nicks on jar or lid; bent edges on metal caps; particles of food on the sealing surface; or forgetting to complete the seal at once after the processing. If the pressure is let out of a pressure cooker too fast, the seal may also be broken.

9. Q. How much water is needed in the boiling water bath?

A. There should be enough water to cover the jars at least an inch. If necessary, add boiling water to maintain required height.

These questions and answers were taken from the New York Herald Tribune's magazine, *THIS WEEK*.

Pack Punches In Lunches

Make your workers' lunch boxes inviting. When food is temptingly prepared, every last bite will be eaten. Make the lunches so tempting that soda pop and dainties will be shunned for the nourishing meal you prepared.

It's easy to pack a balanced lunch if you will remember these simple facts. Five fundamental foods contain all the food material needed to supply the body for energy, growth and repair: milk, meat and eggs, fresh fruit, green vegetables and enriched breads or cereals.

The woman who packs lunches is a vital part in Uncle Sam's production.

News From The Waterville Division

Reporter—Wm. Kusaila

The trip to Canada that Jack Hebert led us to believe he was taking turned out to be a trip to St. Mary's Hospital. Bill Munson was the only one who knew where he was going. We wish you the best of luck toward a speedy recovery, Jack.

Yorky Truncale, who wanted to spend his vacation at Lake George in New York, had to come back home because the storekeepers and restaurants would sell food only to the neighbors.

Harry Palmerini, who spent a week at Silver Beach in Milford, is back at work and feels like a new man. He's ready to dig into the work that piled up during his absence.

Texas Soldier



Camp Hood, Texas, is Pvt. Emilio Favale's stamping ground. He has a sister-in-law, Josephine, working in Drill and Tap and his brother, Joe, works in the Rod Mill at the Main Plant.

Ray Caffrey, Tommy Engala, and Yorky Truncale will challenge any three men to a relay race at the Waterville Division Outing—any distance you want. Anyone accepting this challenge can get further details from any of the men concerned.

It was learned to-day that Ted Johnson is going to attend the Outing on his favorite horse.

Reporter—Irene Parker

Department 715 seems to be back in circulation again. We are glad to have all the old gang together once more.

Anyone interested in poetry should see Virginia. She sure has a poetic mind.

Cassie Cronk celebrated her birthday the 27th of last month. We wish you many more, Cassie, and happy ones too.

We are wondering why Irving is so happy lately. Maybe it's because he's a daddy now, hey, Irving?

Reporter—F. A. Grenier

The Recreation Association has certainly cooperated with the Outing Committee 100% in their generous donation to the ticket. Nice going, Pres. Johnson and all directors!

Drew Connolly has a masked ringer we hear, who throws a moth ball, that

he expects to have pitching, as well as a lefthanded catcher who throws both hands at one time.

Pearl Lanese is back after a week at Milford Beach and says she's good for one year more with 100% pep.

Marty Gray is being called the "Bingo Girl" since she hit the Jack Pot at bingo last week. Lucky girl, eh?

Harry (Kid) Carpentier, the one and only, says he has some Hitler and Mussolini sketches lined up for the Outing that are guaranteed to keep the folks in stitches.

Leo, the Belt Man, and Brother Bill Leary of the Headers will put on a special running act with Leo carrying the ladder all the way!

Reporter—Ray Kozen

Word was received from Private M. J. Montagano who is stationed in the South Pacific area. Mike worked in Dept. 707 and wishes all his friends good sailing. The same to you, Mike, and we hope you'll be back soon.

Jim Brown and Alfred Marano of the Tool Room are spending a week of nothing to do—they are on vacation.

Helen Kelly is spending a week at Long Island. Hope you have a good vacation, Helen.

Bertha Arsenault is headed for Lake Carmel, New York, for a week's rest.

Mary Garrity visited Pittsfield, Mass., recently. She still likes Waterville best, though.

Joe Galvin is going to see what's doing in New York for a week.

Reporter—Lillian Guadino

Most of the girls who have taken vacations or were out sick are back to work. Mary Lau is still hitting the bad notes after having her tonsils out. Her husband thought that she would be singing a little better, but nothing doing.

Mabel Seaman is back after her vacation and she sure does look rested up. Edna Garrity also came back, but on her first day of vacation, she got such a sunburn that she had to take another week off to get over it.

Big Boy

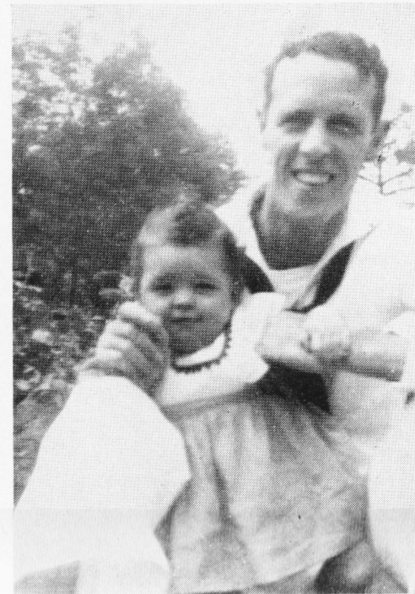


Charles C. Machokas enjoys sitting in his high chair outdoors. He is the seven-months' old son of Dorothy of Waterville Drill and Tap.

Della Spiotti will be an office girl in another week. She has taken Annette Carpentier's job as Annette will be our new driver between the Main Plant and Waterville.

Six girls from Mr. Frink's Department have been transferred to Mr. Hollywood's Dept. We know they will enjoy working for Mr. Hollywood as they did for Mr. Frink and we also hope they will enjoy our company. We sure like them! Welcome, girls.

Patty And Her Daddy



Little Patty May is proud of her sailor daddy, Norman Gorman. Norman, a former worker of Department 748, is now stationed in Pennsylvania.

Fuse Assembly

Third Shift
By Adolph

Everyone was quite pleased with the new departmental Honor Roll erected in tribute to those young men of the department who are now serving in the armed forces. There are now about eighty stars in our service flag.

Of course we are quite proud of the boys of the third shift who are serving. The following are from our shift: Albert Mouchette, Wilfred Bourassa, Stanley Lodarski, Herman Herbert, Peter Timcho and Richard Rylander.

Also Clemens Gerikas, Michael Totino, Walter Mitchell, Theodore Bandurski, John Stanley, Joseph Mendillo, Frank Woznikaitis, Wesley Meskum, Ralph Hall and Paul Wigand.

Among those enjoying their vacations this week are Mary Daly, Jennie Perugini, Rose Gaudiosi, Anne Cacciano, Catherine Cacciano, Josephine Hill, Jean Lawrence, Anna Rakauskas, Margaret Joyce and Jennie Brophy.

This week the welcome mat is out for Catherine Oates, Marguerite Moran and Mary Rice. Welcome, girls.

Ellen Bergen, Marie Donnelly and Helen Lang spent the weekend at Wildmere Beach in New Milford getting a nice coat of tan, or is it sunburn?

Wonder what means of transportation Anton Torres uses to go swimming so frequently at Sandy Beach. The best we can do is an "A" card.

Wonder if Monica Aruck aspires to be the Fuse Assembly "pin up" girl what with all those glamour pictures she has been having made lately.

\$500 Soon To Find Home

Every dawning day brings some enlisted serviceman closer to winning the first third of Scovill's \$1500 reward for first bringing THE BULLETIN into the Axis' capitals of Rome, Berlin and Tokyo.

According to letters received from servicemen overseas, practically everyone considers THE BULLETIN a "must have," and most of them do have one copy tucked safely away among their belongings.

It's safe to say that many a copy is with the troops slowly advancing into Europe and the March on Rome.

The money awaits any enlisted man—he need not be a former Scovill employee—to claim it. He must forward to us any issue of THE BULLETIN, stating across the front page the time and date that copy reached Tokyo, Rome or Berlin; it must have the doughboy's signature; and the endorsement of his commissioned officer and another officer ranking a colonel.

The servicemen have three months from the official date of occupation by our troops of the Axis capital in which to get the prize-winning BULLETIN to us here in Waterbury.

Classified Ads

FOR SALE: One-family, 6-room house in Naugatuck. All improvements, closets, fireplace, 2-car garage; 7 minutes from center. Reasonable. See Josie Wooster, Bldg. 71-3.

FOR SALE: Odd pieces of furniture including side-board, china closet, desk and chairs. See Mrs. Carrie Bowne, 521 Pearl Lake Road.

FOR SALE: 1938 Buick Business Opera Coupe. Call at 31 Irion St., or dial 3-4595.

FOR SALE: 1934 Chevrolet Coach. Call at 59 Ridge St., or phone 4-2081.

FOR SALE: 1935 Ford Roadster, cracked block, 5 tires almost new—600x16. Call Naugatuck 3395.

WANTED: Sewing machine. Call 4-2090 from 9 A. M. - 2 P. M.

WANTED: Canoe in good condition. Phone 4-7591 after 5 P. M.

WANTED: Used studio couch in fairly good condition. Call 5-1963.

WANTED: Alarm clock. Phone 5-1963.

WANTED: Singer sewing machine in any condition. Call Constantine Jakubauskas, at 895 from 7 A. M. - 3 P. M.

LOST: About main offices, black pocket pencil: "Tobacco Tamper" written on top. Call Plant Protection.

FOUND: Fountain pen at East Yard Gate, from foremen's outing. Call Plant Protection.

FOR RENT: Room for one girl; full privileges. Call 3-6406 after 6 P. M.

OPEN: Picnic grove in Naugatuck; swimming pool with state-tested water. Call Trim and Knurl—855.



NEW HAVEN: 7:30-3:30 shift; 4 passengers wanted. See Robert Johnson (Rod Mill) at 575 Orchard St., New Haven.

Lieutenant Tom Kelly Visits



Home on furlough, Lieutenant Tom Kelly dropped in to Press 2 recently. Here is the group that welcomed him: George Anderson, Martin Lawlor, Irene Sowa, Marguerite Moriarty, Katherine Young and Frank Butwill.

Scovill Employee Recreation Of Waterbury

BALLOT

For Election — East and West Plants, August 10, 1943

Mark an "X" opposite the name of the candidate for whom you wish to vote.

| | |
|---|---|
| FOR PRESIDENT (Vote for One) | Ward Hobbie, Jr., North Mill |
| | Joe Graveline, Steam Department |
| | Anthony Sebastian, Central Time Office |
| FOR VICE PRESIDENT (Vote for One) | Joe Runividge, Hot Forge |
| | Jim Bianca, Case 2 |
| | John Kane, West Machine |
| FOR SECRETARY (Vote for One) | Margaret Fenske, Bulletin Office |
| | Helen Duffy, Advertising |
| FOR TREASURER | Lyle Carlson, Mill Production Office |
| FOR BOARD OF DIRECTORS (Vote for Fourteen) | |
| Frank Smith, Bulletin Office | Ann Drago, Chucking |
| Mary DeMers, Fuse Assembly | Henry Masi, East Rolling Mill |
| Chick Toletti, Electrical | Chris Poulsen, Planning |
| Ruth Reichenbach, Employee Information | Bob Schwenterly, Chucking |
| Tom Dillon, Mfg. Metal Stores | Ed T. McGrath, Mfg. Metal Stores |
| Evelyn Sweeney, Fuse Loading | Eddie Sabis, Casting Shop |
| William Vining ASMD Tool Room | Tom Kaukas, Blacksmith Shop |
| Art Chieffo, North Mill | Aldona Reynolds, Spec. Training |
| Vic Reynolds, Blanking Tool | Francis Sheehan, Case 1 |
| Walter Munson, West Machine | Louis Chieffo, Tube Mill |
| Louis DeVoe, Pipe Shop | John Carbon, Tin Shop |
| Stanley Weiss, Hot Forge | Jerry Ricciardi, Millwrights |
| Tony Masi, Tin Shop | Tony Lombardi, Chucking |
| Joe Balfe, Blanking Tool | Gertrude Swirda, War Production |
| George LaPointe, Mill & Grinding | James Smith, Mill Prod. Office |
| Lucy Kelly, Telegraph | Louis Talbot, West Machine |
| Charlie Ciarcia, Fuse Loading | Mary Goffin, Assembly |
| Tom Colella, Carpenter Shop | Alfreda Heald, Radio |
| | Chris Horgan, Trucking |

Above is a replica of the Ballot which will be distributed to each East and West Main Plant employee for the electing of Officers for the SERA for the coming year. Read it carefully — remember, it's your Association — and then mark an "X" in front of the names of the persons you feel best fitted to carry out the duties of these offices.

Buses To Picnic Grounds

Sunday, August 1st, was the first day the Cooke St. Bus Line, Inc. ran buses directly to the gate of the Scovill picnic grounds at Woodtick. Although we realize it was the first day, there was no great overflow of passengers on these special buses. If this service is to continue, we will have to make better use of it.

The buses are the regular Wolcott Street buses which leave the Green every hour on the hour. The buses on Sunday, from 10 A. M. to 7 P. M. will go directly to the Picnic Grounds gate, and will return from that point on the half hour following each trip.

Ads Are Free And They Bring Results

If you have anything you want to buy, sell, give away, rent; if you have lost or found something, why not advertise in THE BULLETIN. The space is \$00.00 an inch, or in other words, FREE.

From reports that have come in to us, these ads are effective. One advertiser reported to us that she received no less than twenty calls on a piano she was willing to give away.

So keep THE BULLETIN Classified Ad column in mind when there is something you do or do not want.

Bulletin Office Moved To Spencer Block

So many people have called to find out just where we were located, that we give you the directions again.

THE BULLETIN office is no longer in Building 4, but is now located in the Spencer Block on the corner of East Main and Mill Streets, right next to the Foremen's Club.

The entrance into the office is at the side between the Spencer Block and the Clubhouse.

If we can be of assistance to you at any time, drop in; or why not just come in to see our new quarters.

Victory Committee Aids War Projects

(Continued from Page 1, Col. 4)

sent the blood bank at St. Mary's Hospital is being supplied by Scovill volunteers.

Scovill's Bond Drive has been handled by the Victory Committee. Employees who have cancelled their bond purchase deductions are interviewed and many sign up again. Employees who have not yet agreed to purchase bonds are contacted. About 70 a week are signed up.

Representatives of the Victory Committee follow up all new employees about ten days after employment. This aids in establishing the new employee in his or her new environment, and may help to clear up any points of dissatisfaction.

Music is supplied employees on all three shifts during lunch hours. Limitation of equipment makes it impossible to cover the whole plant very frequently. War news is posted in various areas of the plant at 11:45 A. M. and 7:00 P. M.

Service by the cafeteria is checked and by suggestion is improved.

All war and production posters are handled by the Committee's representatives as are all signs having to do with employee activities. Two hill-billy bands and a dance orchestra have been sponsored by the Committee.

The Victory Committee sponsored the formation of the Scovill SERA Drum Corps and "Sweater Girl" color guard. This organization has gained fame and good will through its many activities. It accompanies the draftees to the railroad station—aids in the city's War Bond drive, Community Chest campaign, President's Birthday Party, Army-Navy "E" awards — and many other worthwhile projects.

The Victory Committee and Room Committees are now aiding in the drive against Absenteeism, and will run the election of officers and directors of the SERA.

Many other activities are part of the program of the Victory Committee and the Room Committees. The plan has been very successful.

Plating Room Workers Are Visited



Michael Sorocbty, one of Uncle Sam's soldiers, visited the Plating Room not long ago. Here he shakes hands with Anthony Spagnola. Others in the group are, left to right, Fred Davino Mike DeRita, John Bellemare and John Ciullo.

POSTMASTER—If addresses has removed and new address is known, notify sender. Dept. B, on Form 3547, postage for which is guaranteed by the sender.

Return Postage Guaranteed
99 Mill Street, Waterbury, Conn.

U. S. POSTAGE
PAID
WATERBURY, CONN.
PERMIT No. 123